

TRADE CLOSER

Retro-fit cavity closer



Loose-length cavity closer for retro-fitting into new-build or refurbishment cavity walls

Provides damp proof course and thermal break at door and window openings

50-100mm Cavity **CBP TRD100HOR**

✓ Meets Accredited Construction Details

✓ Closes cavity at cills and jambs

✓ Zero global warming potential insulation

✓ Zero ozone depletion potential insulation

✓ Post-consumer PVC-U - highly sustainable

✓ Easy fix - clout nail to brick or blockwork

✓ Trim to your cavity width

✓ Prevents condensation with thermal break

✓ Contributes to energy efficient construction

✓ Suitable for new build and refurbishment

TRADE CLOSER

Retro-fit cavity closer



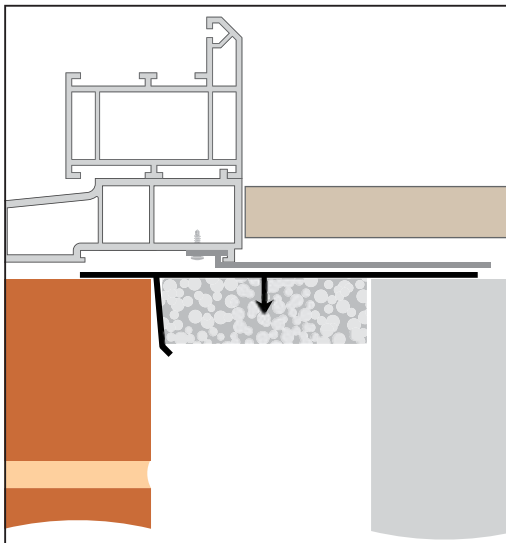
Application

TRADE CLOSER

In new-build projects where the walls have already been built, or in replacement and refurbishment projects, use the Trade Closer to seal the cavity at wall openings.

Nail fix the Trade Closer to the brick or block walls before final sealant and plasterboard finishing.

Position windows at least 30mm over the cavity for best thermal performance and to meet Accredited Construction Details.

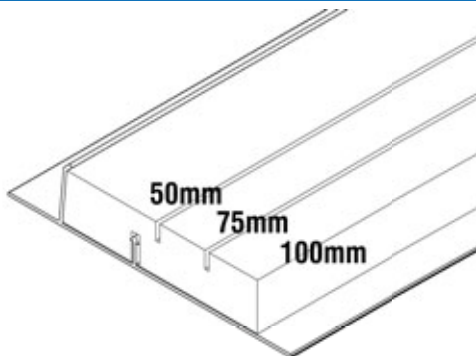


Trimming to size

TRADE CLOSER

The Trade Closer is manufactured with slots at typical cavity sizes allowing one product to be trimmed for multiple cavities.

Simply slice back the polystyrene insulation at the 50mm or 75mm lines when required.



"Cavalok turns waste into energy saving products"

For further technical information please contact:

February 2010

Cavalok Building Products, Black Barn, Mythe Business Centre, Tewkesbury, Glos. GL20 6EA
T: 0870 120 3003 F: 0870 121 3003 E: sales@cavalok.com W: www.cavalok.com