



eurologik®

Discover the leading high-performance,
sustainable window system



All together better



eurologik®

A PROFILE SYSTEM DESIGNED FOR ENHANCED
AESTHETICS AND EASE OF FABRICATION

The Eurologik profile system from Eurocell combines leading energy efficiency performance and aesthetics with ease of use – for the ultimate system

The Eurologik profile system combines leading energy efficiency performance and aesthetics with ease of use, for the ultimate system. Eurologik is specially designed for ease and speed of fabrication and fitting, featuring a unique, patented knock-in bead system. Ideally suited for new build or replacement windows, its 70mm front-to-back dimension enables the seamless replacement of timber frames.

Eurologik is designed for improved aesthetics and clean sight lines, with its unobtrusive gasket line and slim profile. The profile features multiple chambers to enhance thermal efficiency and

strength, and improve drainage. Available with chamfered or sculptured ovolo styles in a range of colours, Eurologik window profiles add a touch of distinction to any home.

The sustainable option

Eurologik features post-consumer recycled PVC-U in the central core of the profile with 100% virgin PVC-U external faces. This ensures the same aesthetics and technical performance but with more environmentally responsible benefits for today's discerning customers. It offers the same benefits but with more sustainability – at no extra cost to you.

WHY CHOOSE EUROLOGIK?



**Outstanding
technical performance**



**Fast, accurate
fabrication and
installation**



**Superb energy
efficiency performance**



**U-values as
low as 0.8**



**BBA certified
system**



**Market-leading
sustainability**



**Wide range of colour
and style options**



**10-year
guarantee for
peace of mind**

Leading energy efficiency

Maximising the thermal performance of windows is vital to meet rising regulatory and customer demands. The advanced multi-chambered design of the main Eurologik profiles (including the optional six-chamber slim outer frame system) and innovative PVC-U Thermal Inserts work together to lock in heat. This means our 'A+'-rated windows offer market-leading double-glazed unit performance and value.

Exceptional air tightness and weathering performance

The post co-extruded (PCE) gaskets on Eurologik profiles use a specially developed compound and twin-leg profile connection system with one-way support arm. This provides excellent adhesion to the main profiles. Tested to BS6375, the gasket system achieves outstanding air tightness and weathering performance, improving energy efficiency further by minimising air leakage.

eurologik products available

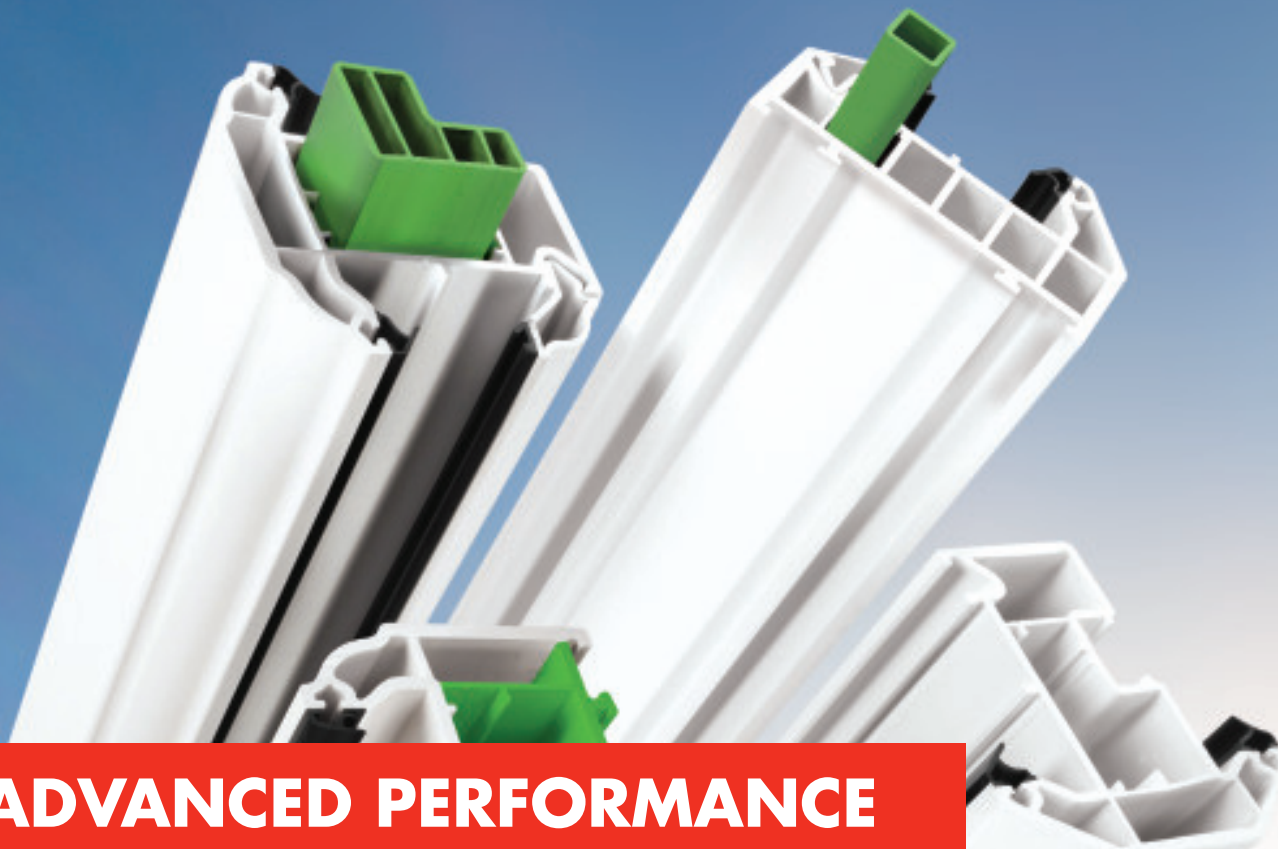
Casement windows

Tilt and turn windows

French windows

Residential doors

French doors



ADVANCED PERFORMANCE

LEADING TECHNICAL & SUSTAINABILITY PERFORMANCE

Enhanced aesthetics for a brighter outlook...

Not only does the innovative six-chambered outer frame option perform better than standard 70mm window profiles, it looks better too. Slimmer than standard systems, it gives any window a sleek, contemporary appearance, increasing the area of glass for improved sight lines and brighter interiors.

... at no extra cost

What makes the slim, six-chambered outer frame so special is that it costs no more than the standard Eurologik outer frame. So now there's no cost barrier to installing the highest energy efficiency-rated profiles – every time.

A++ performance

A+ Window Energy Ratings (WER) are achievable with Eurologik – offering market-leading window performance using argon gas. Eurologik is capable of an A+13 rating (double-glazed) and an A++20 rating (triple-glazed). What's more, U-values as low as 1.2 can be achieved with a double-glazed unit and 0.8 with a triple-glazed unit.

PVC-U Thermal Inserts

PVC-U Thermal Inserts for Eurologik profiles are the sustainable way to improve your window energy efficiency. The multi-chambered design delivers significantly improved thermal performance, more efficient fabrication and 20% lighter weight than windows with conventional steel reinforcements.

Quality controlled manufacturing

Quality is carefully controlled and monitored throughout the manufacturing process of the Eurologik profile system. We have our own toolmaking and laminating facilities, manufacture in our own PVC-U compound mixing plant, giving us full control over product quality and consistency – right from the start.

High-performance products

Exposed to the elements, windows need to be hard-wearing, weather resistant and long lasting. The Eurologik window system will enable you to meet and exceed all of these requirements.

Up to 10-year guarantee

Eurologik profiles are guaranteed for ten years against warping, cracking and discolouration. That means you can give your customers the assurance of a robust, well-designed, precision-made product that's built to last.

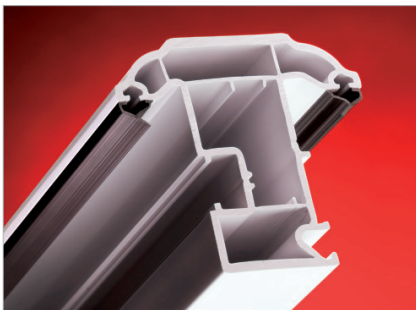


DID YOU KNOW?

PVC-U can be recycled up to 10 times without any degradation in quality. This means that a piece of Eurologik profile can be used for up to 350 years!



MARKET-LEADING FEATURES



Full depth eurogroove for maximum hardware compatibility



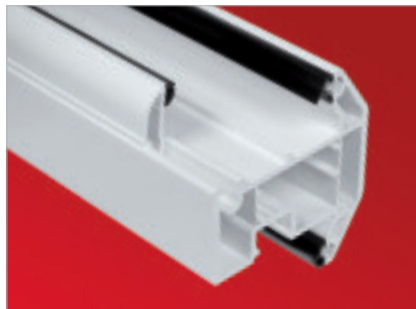
Soft line bevel feature is matched by the bead



Single hinge and espagnollette location in sashes for ease of fabrication



PCE gaskets offer market leading adhesion, air tightness and weather performance



Unique patented knock-in bead system available with 28mm and 36mm putty line



Assessment report numbers 2480 (chamfered) and 2663 (ovolo)



FABRICATION

FAST, EFFICIENT AND CONSISTENT

Why fabricate with Eurologik?

At Eurocell, we understand the demands of your business and Eurologik is purpose designed to make fabrication quick, simple and economical - with absolutely no compromise on quality or performance.

Eurologik ensures your reputation remains as robust, watertight and reliable as the finished product you supply to your customers.

Choose Eurologik and you can rely on a proven, flexible profile solution that offers:

Strength and durability. A single steel reinforcement bar makes mainframes and transoms stronger and reduces flexing, while continuous reinforcement across all reverse butt-welded joints adds extra rigidity.

Ease and economy

A common glass size for all Eurologik internal and external glazed windows and doors makes ordering and fitting easier. Plus, pre-installed, low line gasketing speeds up fabrication and does away with the need to buy and maintain gasket stocks.

Low maintenance and easy care

When you fabricate with Eurologik, you know you're providing householders with attractive, durable windows and doors that require the minimum care and attention. Capillary grooving on all inward facing frames prevents water damage and the clean, internal rebates can be kept looking their best with nothing more than warm water and a mild detergent.

Independent certification

A BBA certificate of approval guarantees absolute security and peace of mind - for you and the installers you supply.

Why install Eurologik?

Eurologik isn't just the most advanced and sustainable PVC-U system you can fit. It's also a beautifully designed window and door system whose slim, fully bevelled profile and clean sight lines enhance properties of every type.

Available with chamfered or sculptured ovolo beads in a variety of colours, it allows for a full range of designs including casement windows, French windows, tilt and turn windows and French doors. Giving you - and your customers - one of the widest choices on the market.

Just some of the reasons Eurologik is a better choice:

A comprehensive range of ancillaries

Our extensive collection of ancillary products includes cills, angles, bay posts, extensions and adaptors. All designed to integrate with and emphasise the clean, stylish lines of your Eurologik window and door projects.

A wide choice of colours and finishes

Today's householders demand more in the way of options to complete their vision of the perfect home. With White, Cream, Slate Grey, Anthracite Grey, Golden Oak, Irish Oak* and White Ash* all available in the Eurologik range, you're perfectly placed to offer the choice they're looking for.

Improved drainage, thermal efficiency and strength

Our innovative six chamber design combines outstanding 'A+' rated thermal performance, low weight, super-efficient drainage and extraordinary strength in the slimmest of PVC-U profiles.

Versatility

Eurologik can be configured to accept both 28mm and 36mm glazing thicknesses according to the specifications and requirements of your project.

Peace of mind

Full BBA accreditation means you can recommend Eurologik to your customers with complete confidence it will perform at its best and look great for many years.

INSTALLATION

HAS NEVER BEEN SIMPLER





eurologik® WINDOW & DOOR SYSTEM

STYLE & COLOUR OPTIONS

Colours to frame the view

Like all Eurocell PVC-U products, the Eurologik window and door system comes with an exact colour-match guarantee. That means the colour is precisely matched to all Eurocell window, door, conservatory roof and roofline products, creating a co-ordinated, consistent look across any property.

Up to 10-year guarantee

Eurologik windows and doors are guaranteed for ten years, so you can give your customers the assurance of a robust, well-designed, precision-made product that's built to last – manufactured by the UK's leading PVC-U specialist.

FRAME STYLES



Chamfered



Ovolo



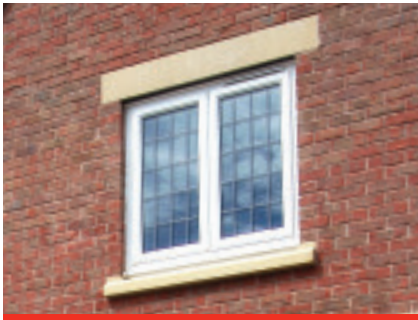
Casement windows – Anthracite Grey



Casement windows – Ovolo - Cream



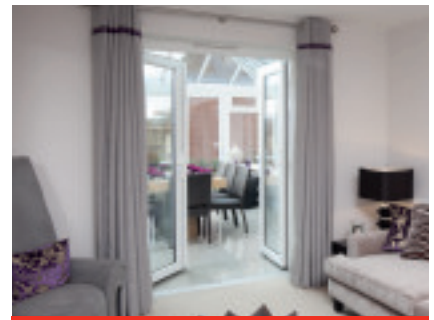
Tilt and turn windows - Moondust Grey



French windows - White Ash



Residential doors



French doors

FRAME COLOURS



WHITE
White interior



WHITE ASH†
Both sides



CREAM
Cream interior



IRISH OAK†
White interior



IRISH OAK†
Both sides



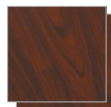
GOLDEN OAK
White interior



GOLDEN OAK
Both sides



ROSEWOOD
White interior



ROSEWOOD
Both sides



SLATE GREY*
White interior



ANTHRACITE GREY*
White interior



BLACK ASH*
White interior

ADDITIONAL COLOURS AND SPECIFICATIONS ARE MADE TO ORDER ON EXTENDED LEAD TIMES

† Ovolo only * Chamfered only



A+ A++ A+++

↓ CO₂



High Thermal efficiency



**Made from 100%
Recycled materials**

MAXIMUM ENERGY EFFICIENCY

FOR MINIMUM OUTLAY ON HEATING BILLS

Increasing demand for energy efficient windows

Delivering superior energy efficiency has never been more important for the construction industry and homeowners. It's an alarming fact that our homes and buildings are responsible for almost half of the UK's carbon dioxide emissions.

Windows have an important role to play in combating energy wastage, since 20% of the heat escaping from an average home is lost through its windows*.

*Source: Energy Saving Trust.

The green option you can afford

Eurocell Eurologik helps builders and homeowners to meet their environmental objectives - without having to pay a premium for going green. Fitting Eurocell PVC-U Thermal Inserts in Eurologik profiles to boost the thermal efficiency of your windows provides better value than steel alternatives. And they are made from 100% recycled material.

Plus you can use the Thermalogik outer frame system - part of the Eurologik family - which enables you to exceed the thermal efficiency requirements of the Building Regulations by 35%*.

THERMAL PERFORMANCE SPECIFICATION COMPARISON



eurologik slim outer frame with PVC-U Thermal inserts reinforcements

Config	Glass 1 (external)	Glass 2	Glass 3 (internal)	Gas	Spacer bar	Reinforcing	WER	Energy Index	U-value
4/12/4/12/4	Pilkington Optiwhite	Pilkington K Glass S	Pilkington K Glass S	Argon	SuperSpacer Premium	Thermal Insert	A++	21	1.0
4/20/4	SG Diamant	N/A	SG Planitherm Total +	Argon	Swisspacer Ultimate	Thermal Insert	A+	13	1.3
4/20/4	Float	N/A	AGC Planibel A	Argon	Swisspacer Ultimate	Thermal Insert	A	3	1.5

eurologik standard outer frame with PVC-U Thermal inserts reinforcements

Config	Glass 1 (external)	Glass 2	Glass 3 (internal)	Gas	Spacer bar	Reinforcing	WER	Energy Index	U-value
4/12/4/12/4	SG Diamant	SG Planitherm Total +	SG Planitherm Total +	Argon	SuperSpacer Premium	Thermal Insert	A+	16	1.0
4/20/4	SG Planiclear	N/A	SG Planitherm Total +	Argon	Swisspacer Ultimate	Thermal Insert	A	5	1.3
4/20/4	Pilkington Optiwhite	N/A	Pilkington K Glass	Argon	SuperSpacer Premium	Thermal Insert	A	1	1.5
4/20/4	SG Planiclear	N/A	SG Planitherm Total +	Argon	Aluminium Spacer	Thermal Insert	B	-7	1.5
4/20/4	Float	N/A	Pilkington K Glass	Argon	SuperSpacer Premium	Thermal Insert	B	-4	1.5
4/20/4	SG Planiclear	N/A	SG Planitherm Total +	Air	Aluminium Spacer	Thermal Insert	C	-20	1.6
4/20/4	Float	N/A	Pilkington K Glass	Air	SuperSpacer Premium	Thermal Insert	C	-15	1.7

eurologik standard outer frame with standard steel reinforcements

Config	Glass 1 (external)	Glass 2	Glass 3 (internal)	Gas	Spacer bar	Reinforcing	WER	Energy Index	U-value
4/12/4/12/4	SG Planiclear	SG Planitherm Total +	SG Planitherm Total +	Argon	Thermabar	Full Steel	A	7	1.2
4/20/4	SG Diamant	N/A	SG Planitherm Total +	Argon	SuperSpacer Premium	Standard Steel	B	3	1.4
4/20/4	Pilkington Optiwhite	N/A	Pilkington K Glass	Argon	SuperSpacer Premium	Standard Steel	C	-5	1.6
4/20/4	Float	N/A	SG Planitherm Total +	Argon	Aluminium Spacer	Standard Steel	C	-11	1.6
4/20/4	Float	N/A	AGC Planibel Top N	Argon	Thermabar	SStandard Steel	C	-14	1.4

Further configurations available

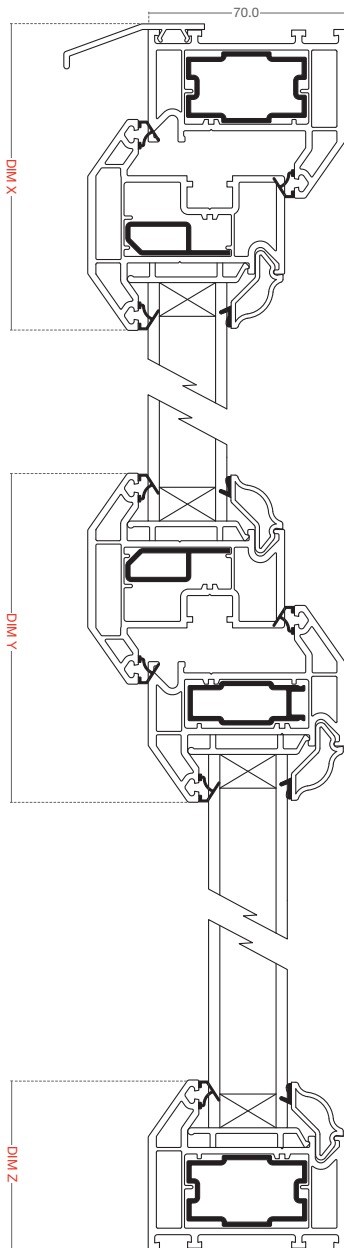
TECHNICAL INFORMATION

CASEMENT WINDOWS

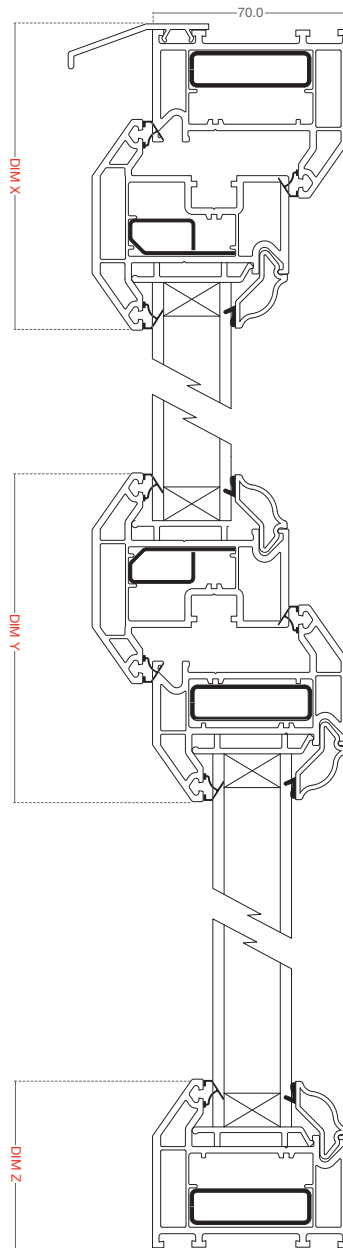
Frame / dimension	Dim X	Frame / dimension	Dim Y	Frame / dimension	Dim Z
Thermalogik outer frame (EWS 7001) with sash T (EWS 7005)	97mm	Sash T (EWS 7005) with transom Z (EWS 7003)	117mm	Thermalogik outer frame (EWS 7001)	50mm
Main frame (EWS 7021) with sash T (EWS 7005)	107mm	Sash T (EWS 7005) with intermediate transom Z (EWS 7023)	132mm	Main frame (EWS 7021)	60mm
Large main frame (EWS 7006) with sash T (EWS 7005)	122mm			Large main frame (EWS 7006)	75mm

OUTWARD OPENING, INWARD GLAZED

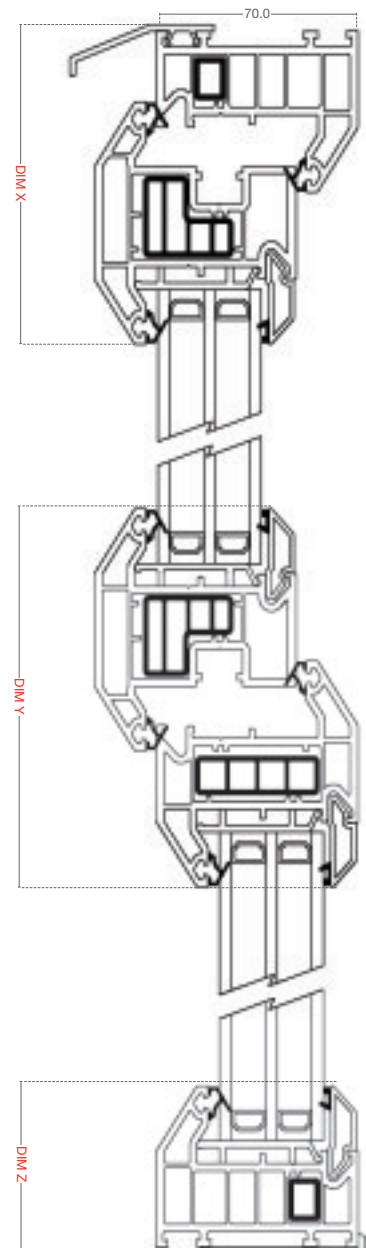
Aluminium
Reinforcement option



Steel
Reinforcement option



PVC-U Thermal Inserts
Reinforcement option



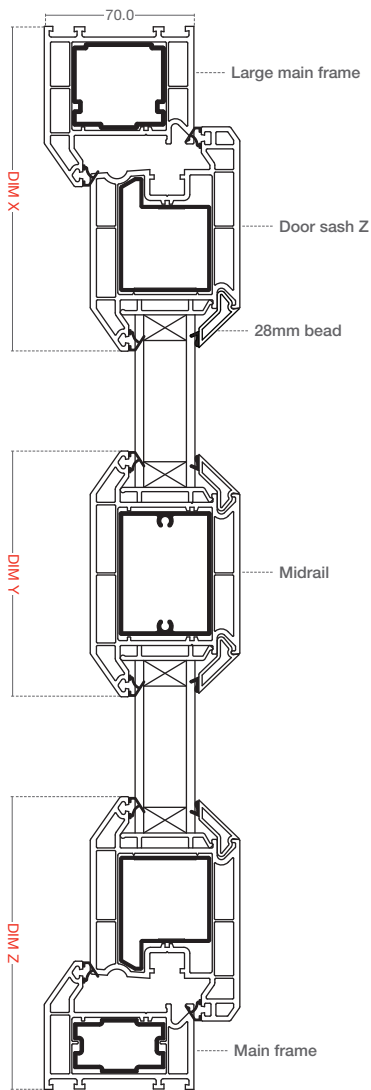
TECHNICAL INFORMATION

RESIDENTIAL DOORS

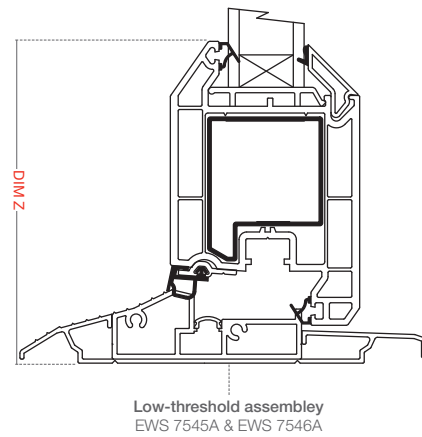
Frame / dimension	Dim X	Frame / dimension	Dim Y	Frame / dimension	Dim Z
Main frame (EWS 7021) with door sash Z (EWS 7018)	137mm	Midrail (EWS 7002)	70mm	Low threshold (EWS 7545A and 7546A)	119mm
Large main frame (EWS 7006) with door sash Z (EWS 7018)	152mm	Midrail (EWS 7022)	85mm	Thermalogik outer frame (EWS 7001)	127mm
		Midrail (EWS 7009)	115mm	Main frame (EWS 7021)	137mm
				Large main frame (EWS 7006)	152mm

INWARD OPENING, INWARD GLAZED

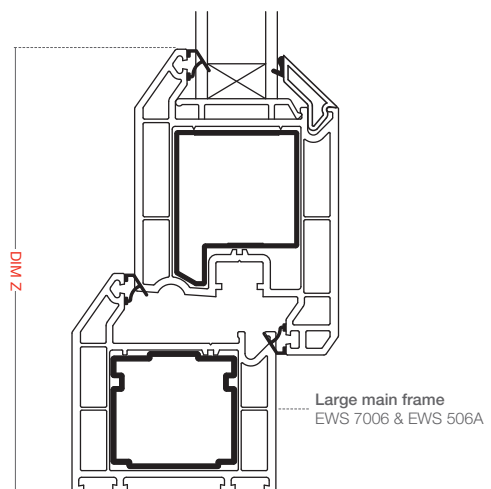
Vertical cross section With aluminium reinforcing



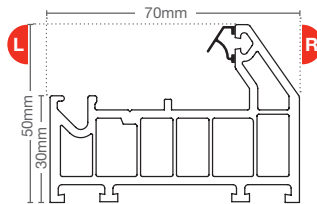
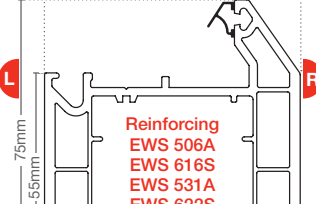
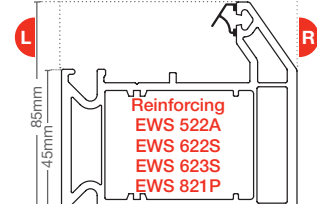
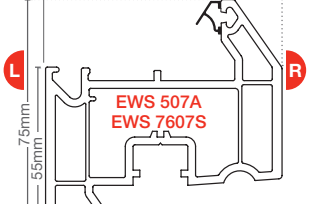
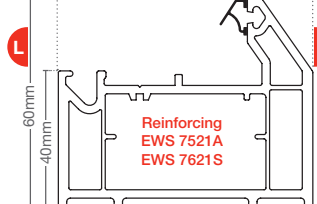
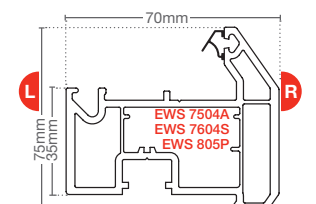
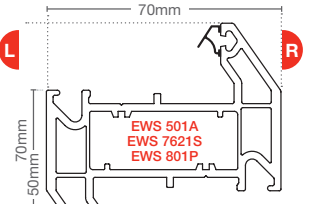
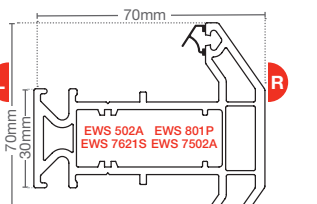
Low threshold Threshold option



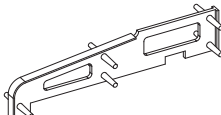
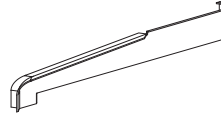
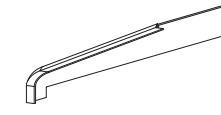
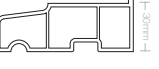

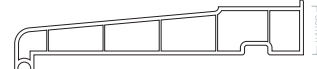
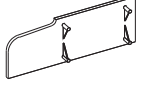
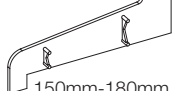
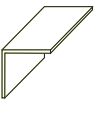


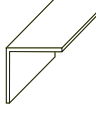
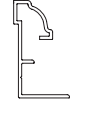
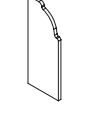
Large main frame Threshold option







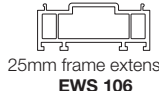
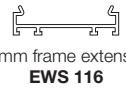

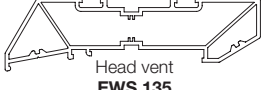


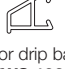
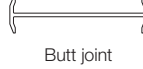





















MAIN PROFILES

 <p>Thermalogik frame EWS 7001 Reinforcing EWS 800P</p>	 <p>Large main frame EWS 7006</p> <p>Reinforcing EWS 506A EWS 616S EWS 531A EWS 622S EWS 831P</p>	 <p>Intermediate transom T EWS 7022</p> <p>Reinforcing EWS 522A EWS 622S EWS 623S EWS 821P</p>	 <p>Tilt and turn EWS 7007</p> <p>EWS 507A EWS 7607S</p>
 <p>Main frame EWS 821P</p> <p>Reinforcing EWS 7521A EWS 7621S</p>	 <p>Sash T EWS 7005</p> <p>EWS 7504A EWS 7604S EWS 805P</p>	 <p>Transom Z EWS 7003</p> <p>EWS 501A EWS 7621S EWS 801P</p>	 <p>Transom T EWS 7002</p> <p>EWS 502A EWS 801P EWS 7621S EWS 7502A</p>

CILLS, ANGLES & TRIMS

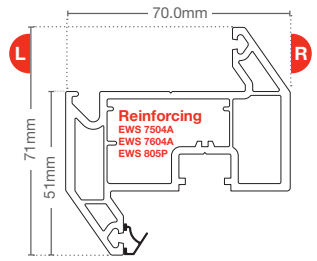
 <p>150mm straight cill joint trim JT 150</p>	 <p>90° internal angle cill joint trims JTA 90i</p>	 <p>90°, 135° & 150° angle cill joint trims JTA 90E, JTA 135 & JTA 150</p>
 <p>85mm A type cill AS 85</p>	 <p>150mm A type cill AC 150</p>	 <p>180mm A type cill AC 180</p>
 <p>85mm cill end caps ECA 85</p>	 <p>150mm-180mm cill end caps ECA 150 / ECA 180</p>	 <p>50mm adjustable angle AA50</p>
 <p>Cill extender EWS 118</p>	 <p>Cill reinforcement CR 27P</p>	 <p>70mm adjustable angle AA70</p>
		 <p>Window board retaining trim EWS 129</p>
		 <p>Window board trim end cap EWS 229</p>

ANCILLARIES, BEADS & GASKETS

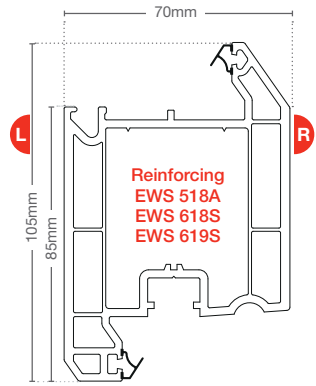
 <p>70mm sq bay post EWS 120</p>	 <p>Sq bay post sculpted EWS 130</p>	 <p>Bay pole EWS 109</p>	 <p>50mm frame extension EWS 126</p>
 <p>25mm frame extension EWS 106</p>	 <p>15mm frame extension EWS 116</p>	 <p>135-150° ext angle capping EWS 113</p>	
 <p>Head vent EWS 135</p>	 <p>10mm frame extension EWS 136</p>	 <p>160-170° adjustable bay post external capping EWS 121</p>	
 <p>Door drip bar EWS 102</p>	 <p>Butt joint EWS 103</p>	 <p>Bay pole adaptor EWS 105</p>	 <p>Sculpted structural butt joint trim EWS 128</p>
 <p>Bay pole ext trim EWS 124</p>	 <p>Head drip EWS 101</p>	 <p>Bay pole internal trim EWS 123</p>	 <p>Bay pole adaptor EWS 125</p>
 <p>T capping section EWS 107</p>	 <p>Eurogroove cover EWS 112</p>	 <p>Screw cap cover EWS 155</p>	 <p>36mm bead EWS 7303</p>
 <p>28mm bead EWS 7301</p>	 <p>28mm ovolo bead EWS 7312</p>	 <p>Ext / int flipper gasket EWS 7402G</p>	 <p>36mm ovolo bead EWS 7313</p>
 <p>Drip bar end cap EWS 204</p>	 <p>Interlocking wedges EWS 7201</p>	 <p>Low threshold moulding EWS 7246</p>	 <p>French window end cap EWS 7215</p>
 <p>Clip-in leading ramp EWS 7202</p>	 <p>French door end cap EWS 7205</p>	 <p>Clip-in glazing platform EWS 7203</p>	

Mouldings

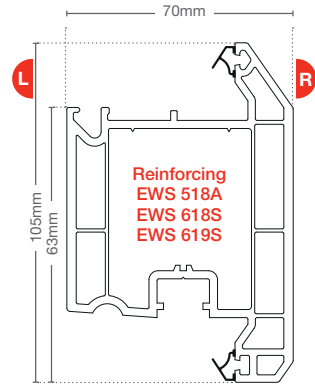
Chamfered and Ovolo window and door system



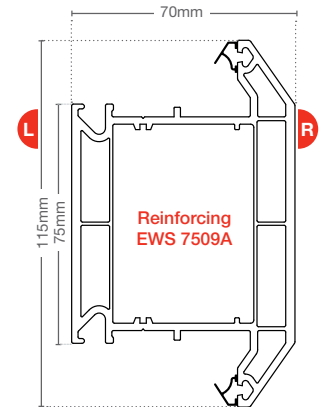
Sash Z
EWS 7004



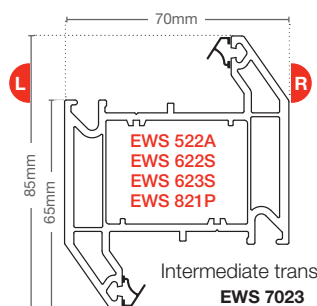
Door sash Z
EWS 7018



Door sash T
EWS 7019

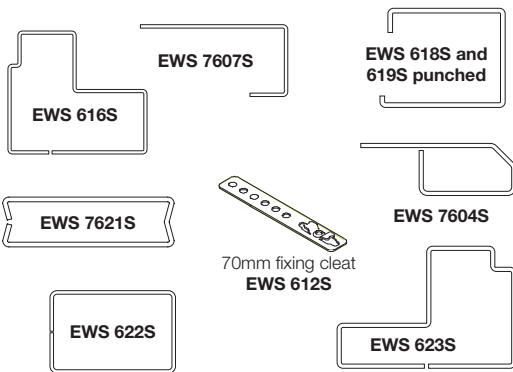


Door mid rail
EWS 7009



Intermediate transom Z
EWS 7023

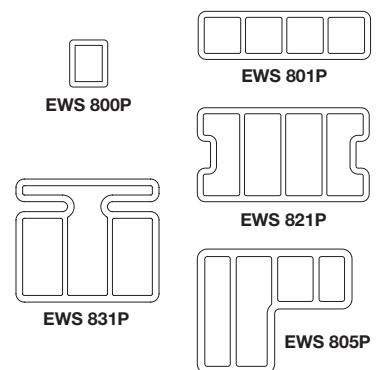
STEEL COMPONENTS



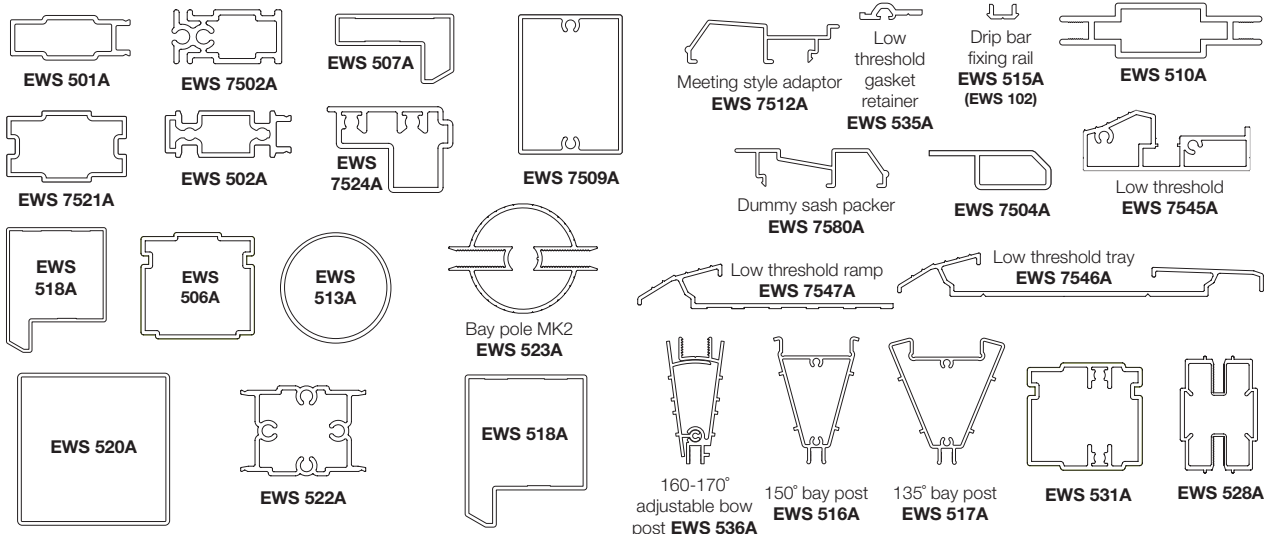
DEC FEATURES



PVC-U THERMAL INSERTS



ALUMINIUM COMPONENTS



Note: drawings not to scale. The product codes of the main frames on this chart are for the post-consumer recycled PVC-U version of eurologik. A 100% virgin PVC-U product is available to order on separate codes.

CASE STUDIES



Client: Morris Homes

Project: Zero carbon village

Eurocell Eurologik triple-glazed windows and fully recycled cavity closers were specified by Morris Homes on the UK's largest zero carbon village in Peterborough.

The development of 295 zero-carbon homes was designed to reduce energy emissions by 100% compared to an equivalent sized standard housing development.

The windows achieved a U-value of 0.8W/m²K, helping the properties meet the carbon reduction requirements of UK Building Regulations up to the 2016 zero carbon deadline.

Eurologik windows, Cavalok cavity closers and other energy saving measures were incorporated into the design, and have contributed to the Vista properties requiring 74% heating per square metre, compared to the average UK home.

Homebuyers will not only feel these benefits in terms of more comfortable and healthier homes, but will delight in the fact that they save around £310 off their annual energy bills.

Morris Homes has demonstrated how sustainable developments, often perceived to be expensive, are now a real alternative for all developers, with two bedroom properties at the Vista site starting from just £139,000.

“Eurocell windows in Grey created exactly the right contemporary appeal for Morris Homes. The specifiers liked the slim profile of the frames because it lets in the maximum amount of natural daylight and that means the homebuyers don't even notice that they have been specified to achieve zero carbon.”

Simon Bingham
Contract Manager at Ford Windows

Project: BRE Smart Home Refurbishment

BRE Exemplar Project Partner Eurocell and its approved fabricator Nationwide Windows have worked with the Building Research Establishment (BRE) and British Gas to refurbish SmartHome in Garston, Watford.

Eurologik windows were just one of the Eurocell products specified for the refurbishment as they provide high levels of thermal efficiency, sustainability and value for money.

The refurbished 'House of the Future' showcases latest products and technologies with the aim of helping households to reduce energy consumption through sustainable refurbishment.

Calculations indicate that replacing the timber windows with energy efficient PVC-U windows from Eurocell will provide greater air tightness as well as improving U-values, aiming to improve the three-bedroom home's energy efficiency from an EPC (Energy Performance Certificate) rating of E to a B or an A.

SmartHome, formerly the Integer House (which stands for Intelligent and Green), will be used as a reference

point by many housing associations, local authorities and architects. The building has already informed a generation of house designers as far as China, and will inspire the next generation of housing experts.

All new windows incorporate the Eurocell PVC-U Thermal Inserts to improve the frames thermal performance and, being made from 100% post-consumer recycled PVC-U, provide a sustainable method of dealing with end-of-life PVC-U frames from refurbishment projects. Eurocell operates the UK's largest post-consumer PVC-U recycling facility near to its headquarters in Derbyshire.

"SmartHome will highlight how refurbishing existing buildings can be an affordable and a highly effective way of reducing energy bills and improving comfort for residents."

John O'Brien
Principal Consultant BRE



bre





All together better

For more information about **eurologik** windows and door system from Eurocell, call our customer services team on **0800 988 3047**, or visit **eurocell.co.uk/eurologik**

Eurocell plc, Fairbrook House, Clover Nook Road, Alfreton, Derbyshire DE55 4RF



eurocell.co.uk